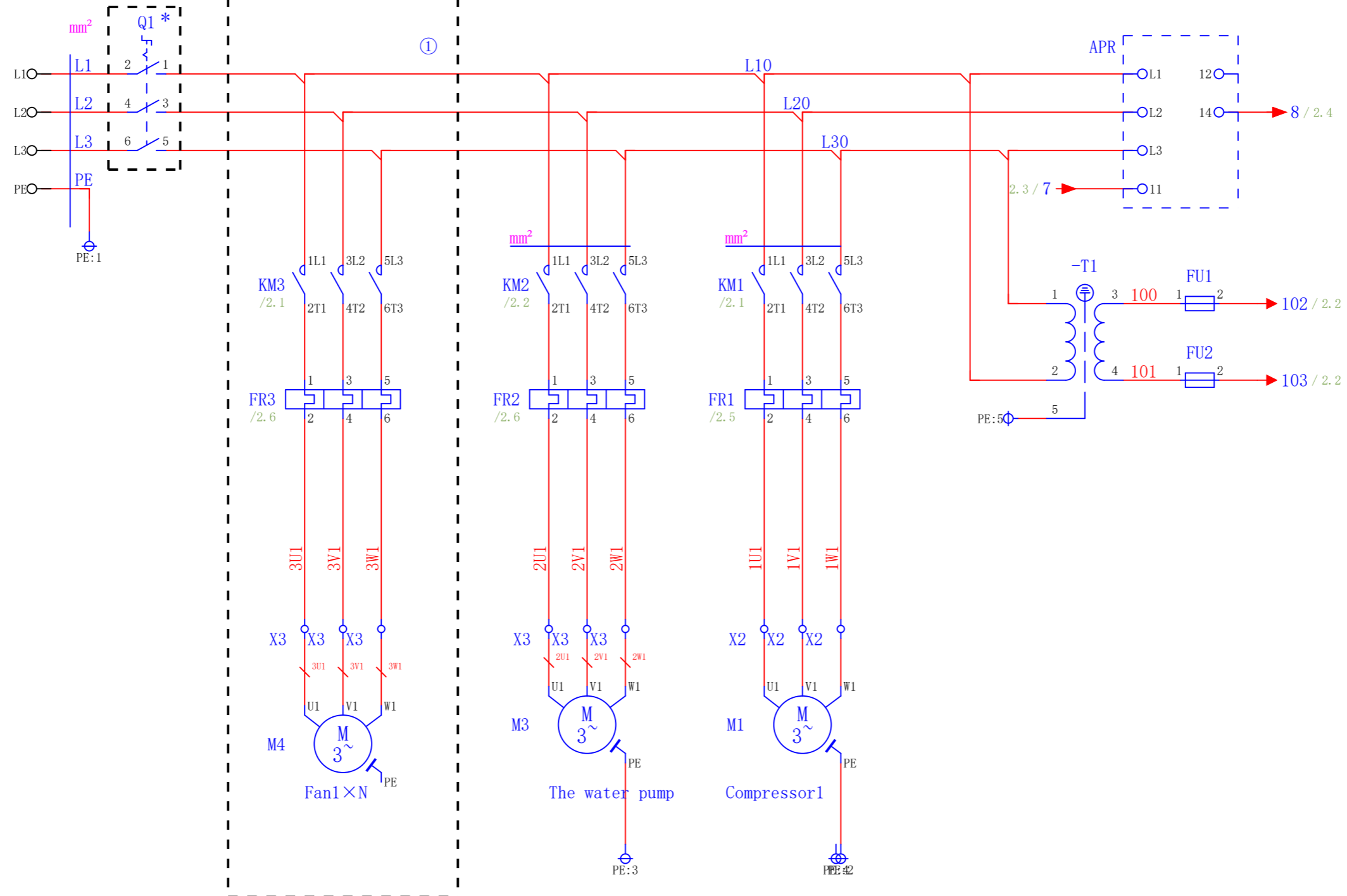


AC Customer voltage V 3Φ



Customer voltage=220V: no T1 When other clients voltage: T1Voltage/for the customer220V control transformer

①: Air-cooled model configuration

Pages	1 of 2	HC -05PACI	设计	吴哲宇	2023/2/17
Drawing Revisions	4	3F-08090063	审核	4	

